

Solutions born from experience

DIMAT
www.dimat.com

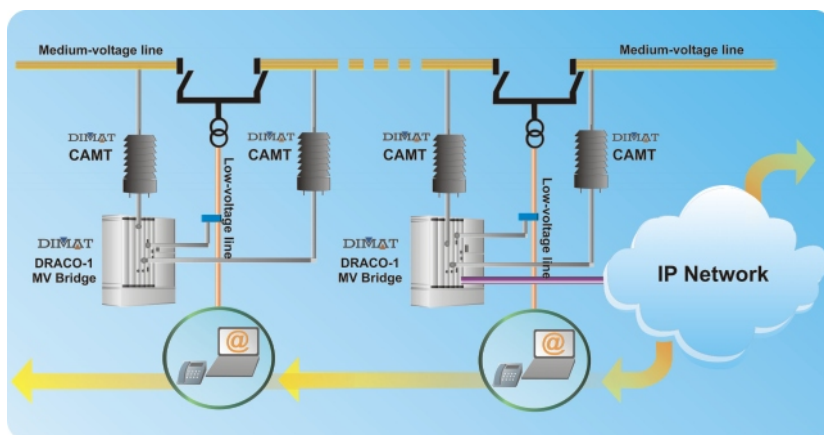
Solutions for Powerline Communications (PLC) over Medium-Voltage Lines

DIMAT, a leading designer and manufacturer of communications and networking solutions for power utility companies, worldwide, introduces its **Powerline Communications (PLC) over Medium-Voltage Lines** solution.

With the use of DIMAT PLC solution, power utilities can extend their communication backbone to any medium-voltage (MV) power lines allowing **deployment of broadband IP network** without any civil works, **rapidly and at very low installation cost**.

DIMAT's extensive experience in narrow-band Power Line Carrier systems for high-voltage lines brings a unique design to withstand the electromagnetic disturbances of MV installations. DIMAT's PLC solution uses the most advanced multicarrier modulation techniques for implementing Internet and VoIP access as well as telecontrol networks.

In addition to these benefits, DIMAT PLC technology provides **extremely high data transmission speeds of up to 45 Mbps today**, and up to 200 Mbps in the near future.



DIMAT's complete solution: DRACO-1 bridge combined with the CAMT coupling unit

DIMAT's new DRACO-1 bridge combined with DIMAT's CAMT coupling unit ensures a rapid and easy deployment of a wideband data network using existing MV power lines.

DIMAT DRACO-1 MV PLC Bridge Highly compact and fully configurable

This compact, modular and flexible equipment is designed to implement meshed IP packet switching networks over MV power lines. While communication over MV lines uses OFDM Powerline Communications technology, separate interfaces are available to enable connection to other networks, such as Optical Fiber Gigabit Ethernet.

DIMAT CAMT Coupling unit for PLC over MV lines Maximize bandwidth, minimize space

The coupling capacitor and coupling circuit are included in the same device to form a very compact coupling unit. This unit, for MV lines, maximizes the communication bandwidth and optimizes impedance matching between the MV line and the PLC equipment. High insulation ensures the complete safety and protection of both the users and the communication equipment.

Applications for PLC networks

DIMAT's PLC solution offers great potential to power utilities. By providing them with high-speed telecommunication services, it allows them to offer their customers a broad spectrum of innovative services such as high-speed Internet; VoIP, video and audio on-demand.

It also enables the use of energy-related services such as AMR (Automatic Meter Reading), DSM (Demand-Side Management) and Distribution Automation (telecontrol).

Advantages of PLC over MV lines

- Enables extensive deployment of the high speed communication backbone
- Allows easy, fast and cost-effective installation
- Is independent of the access technology
- Allows quick implementation of telecontrol over MV/LV network
- Offers a high transmission rate up to 45 Mbps (up to 200 Mbps in the near future)

DIMAT PLC solution for MV networks

DIMAT is an authority in the field of high voltage networks due to its long experience in the design and production of Power Line Carrier and teleprotection terminals. It is a member of the CIGRE workgroup dedicated to PLC over MV lines, and an active participant in PLC Forum and other related workgroups. With the introduction of its new MV DRACO-1 bridge combined with the CAMT coupling unit, DIMAT now provides a complete PLC solution.

DIMAT: Quality assurance you can count on

At DIMAT, we take quality as seriously as you do. Our quality assurance program aims to bring you industry-leading quality in our products and services. DIMAT is ISO 9001 certified. Quality is built into our products every step of the way.

DIMAT: Full life-time service

At DIMAT, we pride ourselves on the quality of our Customer Care. Our workforce of highly qualified professionals is dedicated to developing, maintaining, and implementing the best solutions for your needs. When you contact DIMAT, you will always talk to the right in-house expert for your query. And we offer complete after-sales assistance during the full life cycle of our products.

Contact us

DIMAT
Biscaia 383 - 08027 Barcelona (Spain)

Tel.: +34 933 490 700 - Fax: +34 933 492 258
Mail to: info@dimat.com

For the latest information on DIMAT products and services, visit our Web site at www.dimat.com

DIMAT will be participating in the CeBIT 2003 exhibition. We would like to take the opportunity of this special event to welcome you to our booth and demonstrate our new Powerline Communications solution. We will hold a **product showcase** to show you all the features of this product.

Come and visit us at the event, our booth is located in the World of Powerline area

DIMAT booth# D06, Hall 12

CeBIT 2003
Hannover - Germany
12-19 March
Event web site at www.cebit.de